



DESCRIPTION

The IAQPT Series provides indoor air quality monitoring of CO₂, temperature, and RH for demand control ventilation applications. The unit features pushbutton calibration and jumper selectable 4-20 or 0-20 mA output for CO₂, humidity, or temperature. The unit is available for wall or duct mount installations and easily snaps into a standard electrical box.

FEATURES

- Senses CO₂, temperature, and RH
- Analog 4-20 mA outputs
- Jumper selectable gas detection range
- Easy calibration
- Optional backlit LCD
- Independent sensor operation

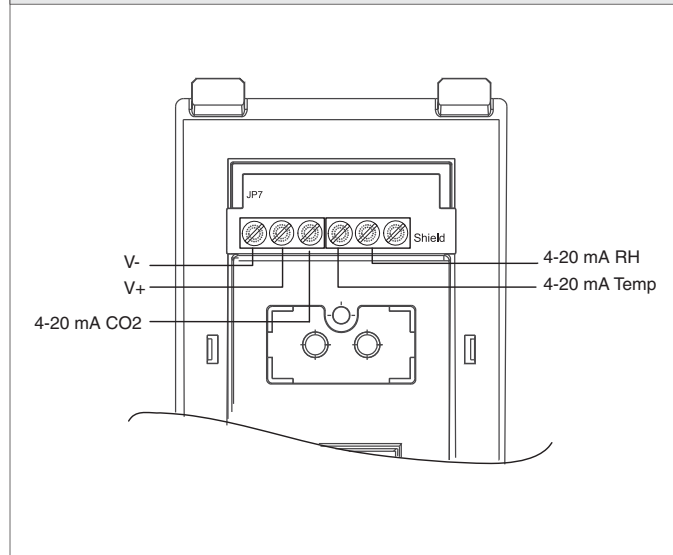


IAQPT-DT-A-TRH-D

SPECIFICATIONS

Supply Voltage	20-30 VAC, 50/60 HZ; 18-30 VDC, 200 mA @ 24 VDC
Supply Current	200 mA @ 24 VDC
Signal Output	4-20 mA selectable for CO ₂ , humidity, or temperature
Maximum Output Impedance	500Ω
Accuracy	
CO₂	± 3%, 0-2000 ppm; ±10%, 2000-10,000 ppm
RH	±3% RH, 0% to 99% noncondensing
Temperature	± 0.9°F @ 77°F (0.5°C @ 25°C)
Measurement Range	
CO₂	0-2000 ppm, 0-10,000 ppm (jumper selectable)
RH	0% to 99% noncondensing
Temperature	-4° to 122°F (-20° to 50°C)
Sensing Technology	
CO₂	Non-dispersive infrared
RH/Temperature	Solid state
Display	Graphic LCD; two-line, alphanumeric
Response Time	
CO₂	<60 seconds for 90% step change
RH	4 seconds
Temperature	30 seconds
Operating Humidity	0% to 95% RH
Operating Temperature	32° to 100°F (0° to 40°C)
Enclosure	White ABS plastic
Dimensions	
Wall	3.9"H x 2.5"W x 1.2"D (9.9 x 6.3 x 3.0 cm)
Duct Probe	2.1"L (5.3 cm), 0.5" (1.3 cm) diameter
Approvals	CSA C22.2 NO. 61010-1, CE
Weight	
Wall	0.44 lb (0.2 kg)
Duct	0.66 lb (0.3 kg)
Warranty	1 year

WIRING



8

GAS & SPECIALTY SENSORS

ORDERING INFORMATION

MODEL	DESCRIPTION
IAQPT-SM-A-TRH	CO ₂ , temperature, and RH transmitter, wall mount, no display
IAQPT-SM-A-TRH-D	CO ₂ , temperature, and RH transmitter, wall mount, with display
IAQPT-DT-A-TRH	CO ₂ , temperature, and RH transmitter, duct mount, no display
IAQPT-DT-A-TRH-D	CO ₂ , temperature, and RH transmitter, duct mount, with display